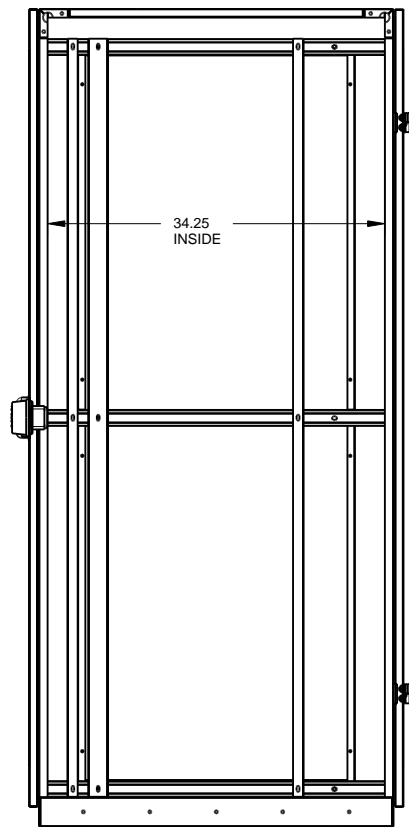
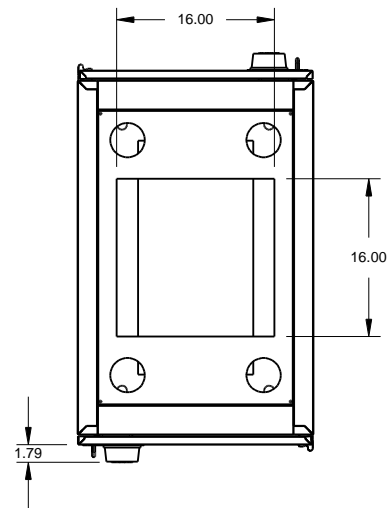
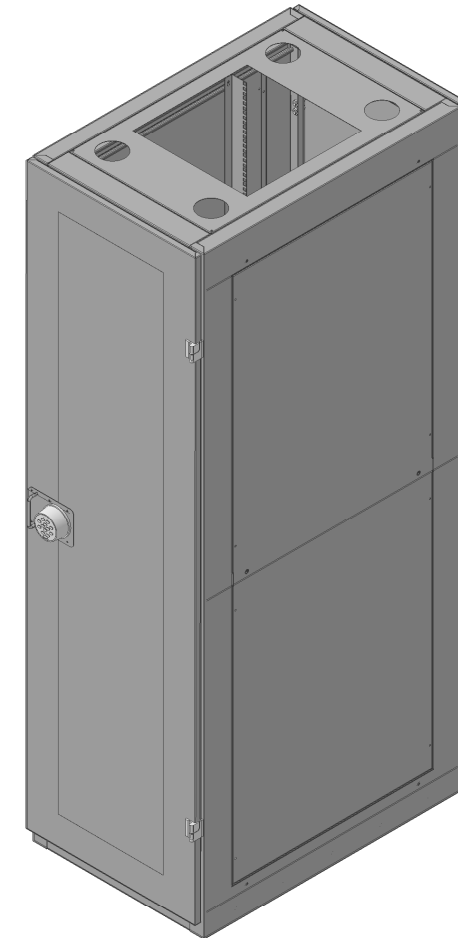
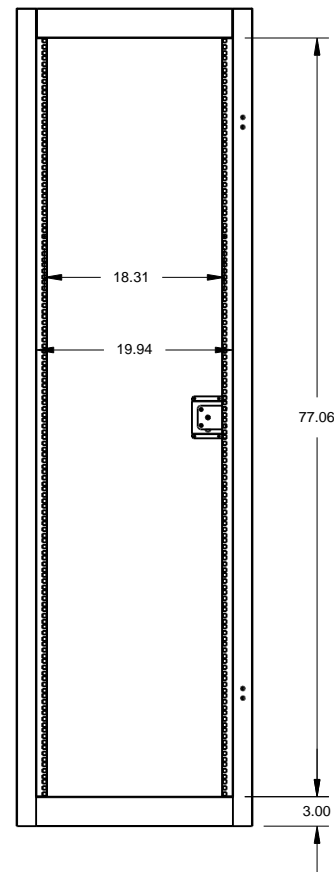
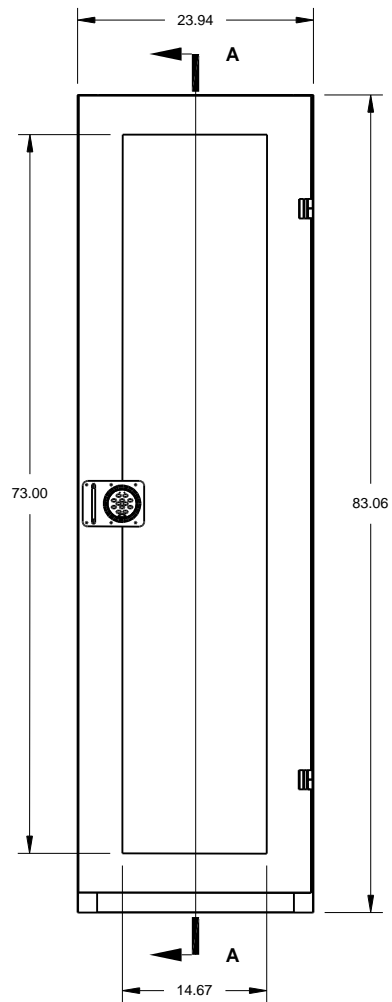


REVISIONS				
ZONE	REV	DESCRIPTION	DATE	APPROVED
	1		06/05/13	K.Kusztal



Section A-A



SIZE B	CAGE CODE 3FRE2	PART NAME CABINET W/ ELECTRONIC NO POWER LOCK	MATERIAL	REV 1
SCALE	DWG NO. HHASM1344	SHEET		

H&H Industrial Corp.; 7612 RT. 130, Pennsauken, NJ 08110