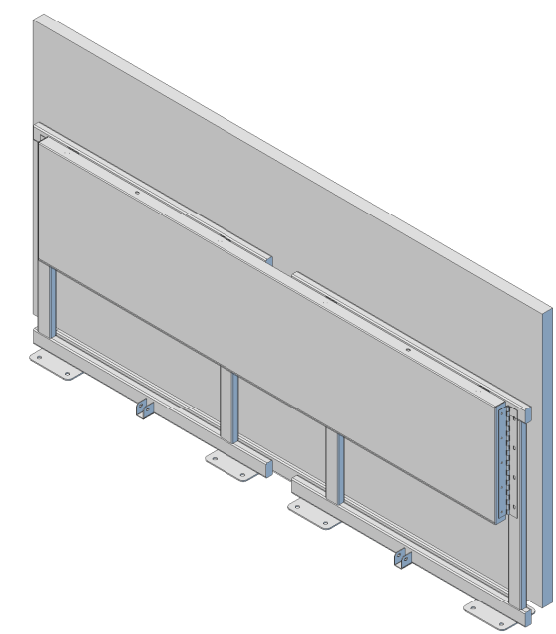
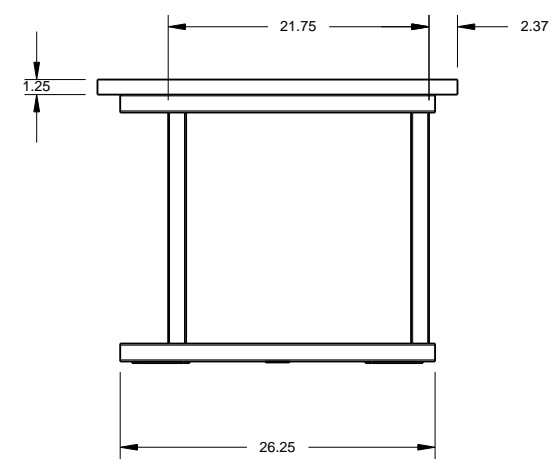
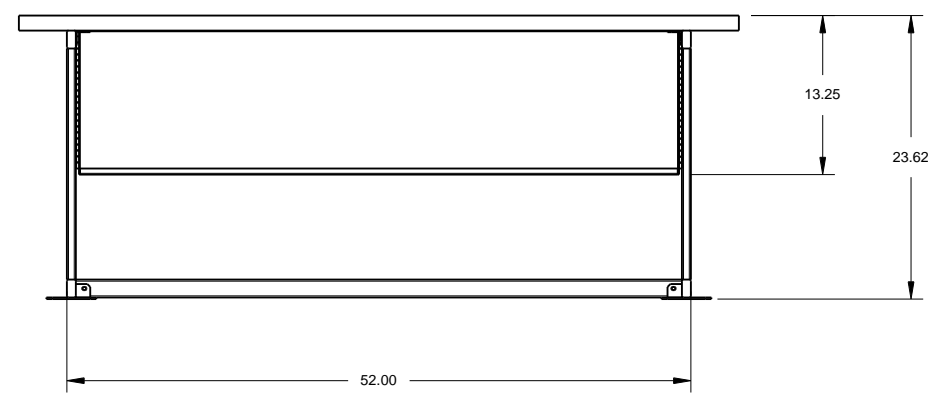
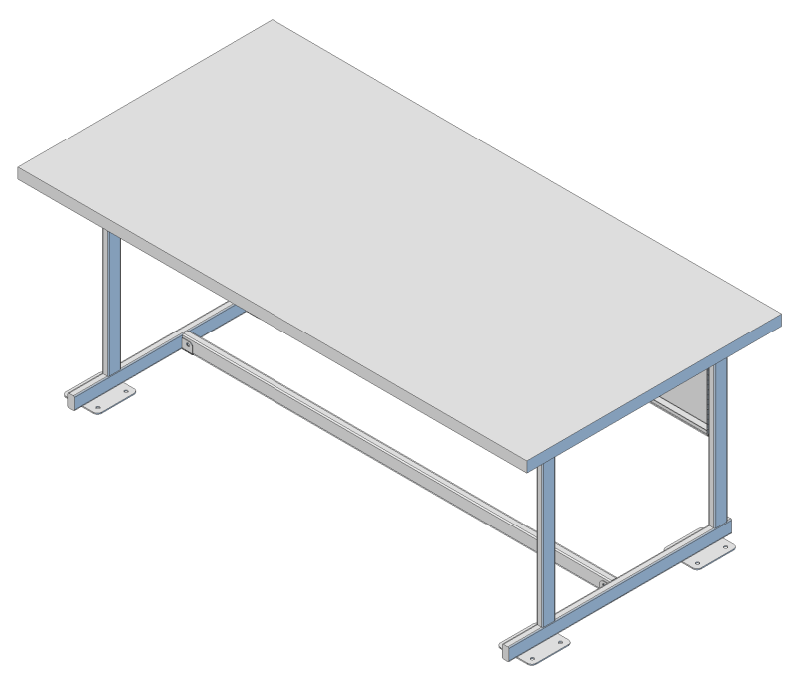
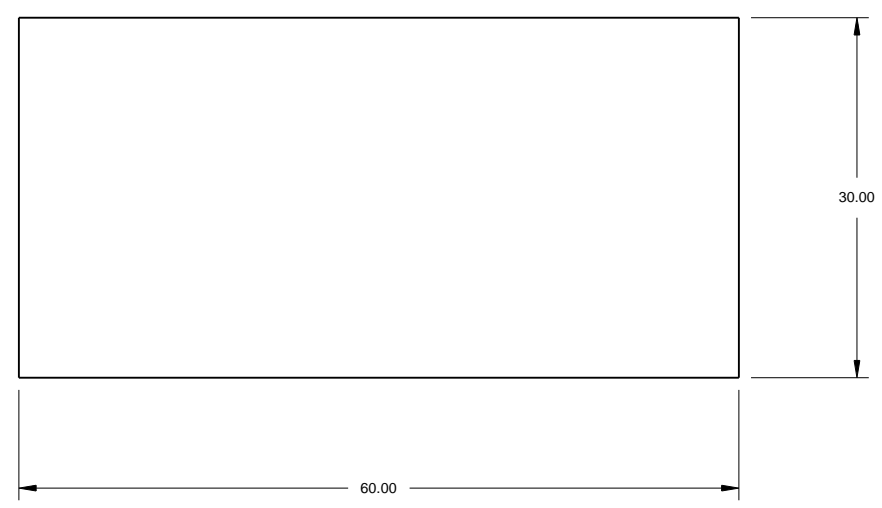




REVISIONS				
ZONE	REV	DESCRIPTION	DATE	APPROVED



SIZE B	CAGE CODE 3FRE2	PART NAME TUBE TABLE	MATERIAL	REV 1
SCALE	DWG NO.	HHASM1577 TABLE	SHEET	

H&H Industrial Corp.; 7612 RT. 130, Pennsauken, NJ 08110

