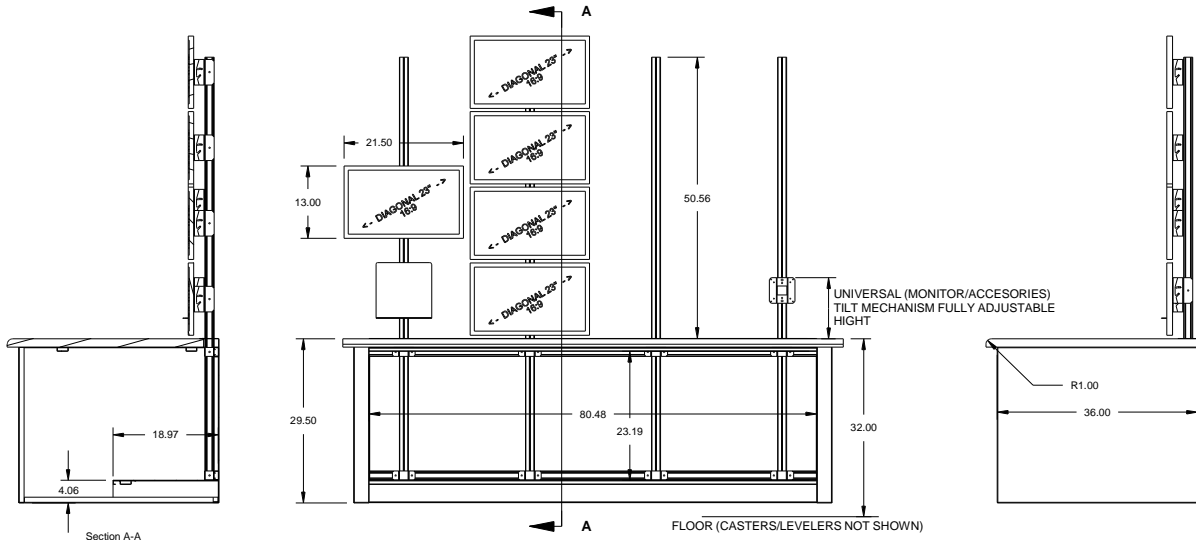
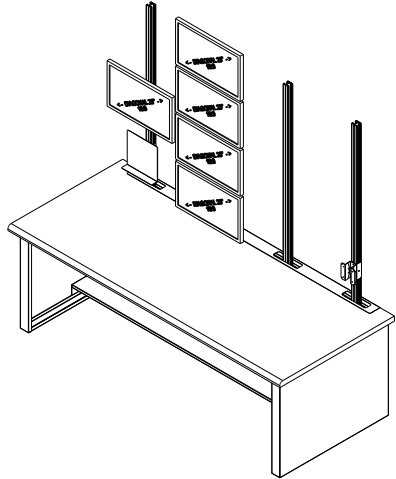
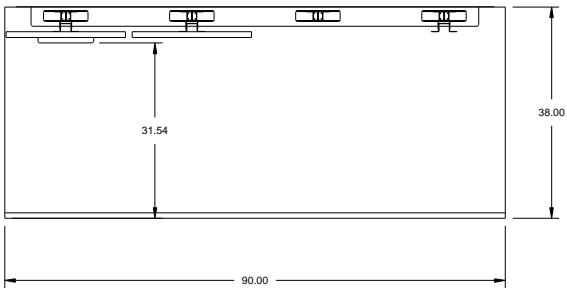




REVISIONS				
ZONE	REV	DESCRIPTION	DATE	APPROVED



NOTES: FULLY WELDED FRAME W/ ADJUSTABLE MONITORS MASTS (4)

SIZE B	FSCM NO.	DWG NO. MONITOR TABLE HH060412	REV
SCALE	SHEET		

